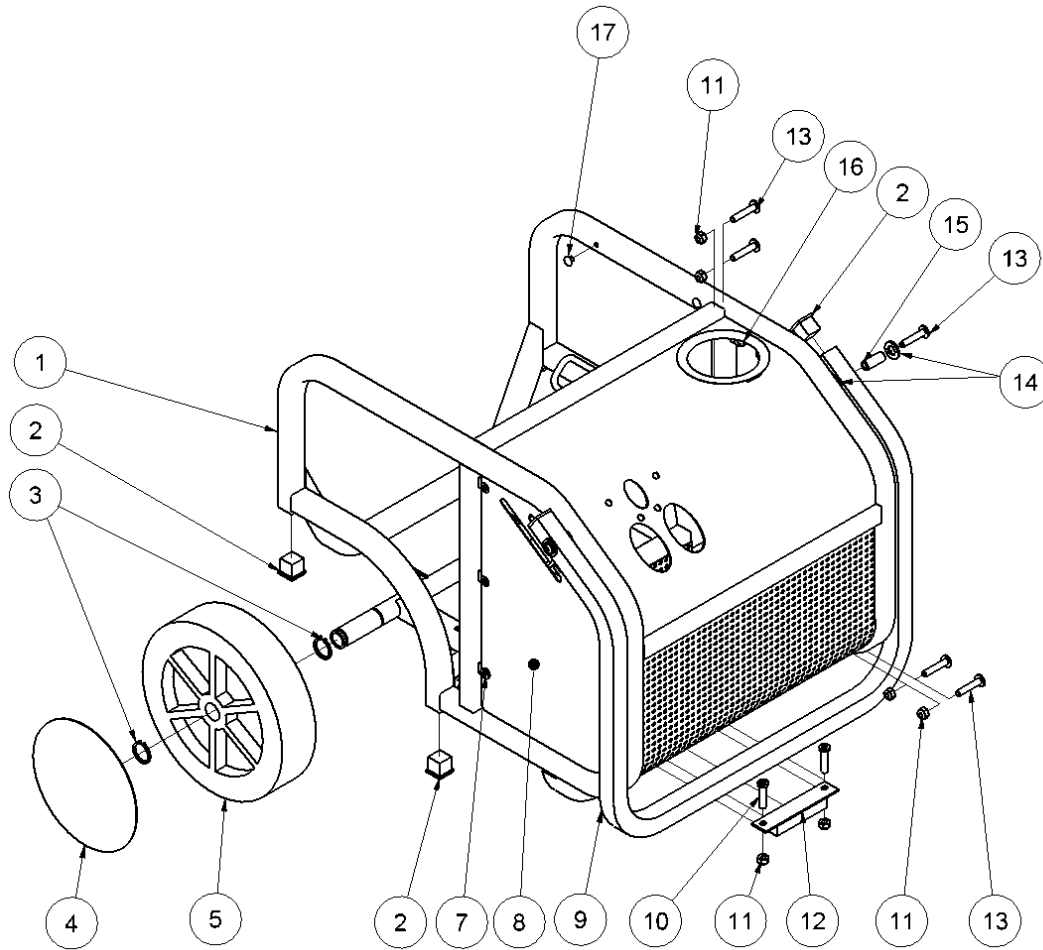


HPP06 spare parts list

Serial number 5688-14774

Fig. 1

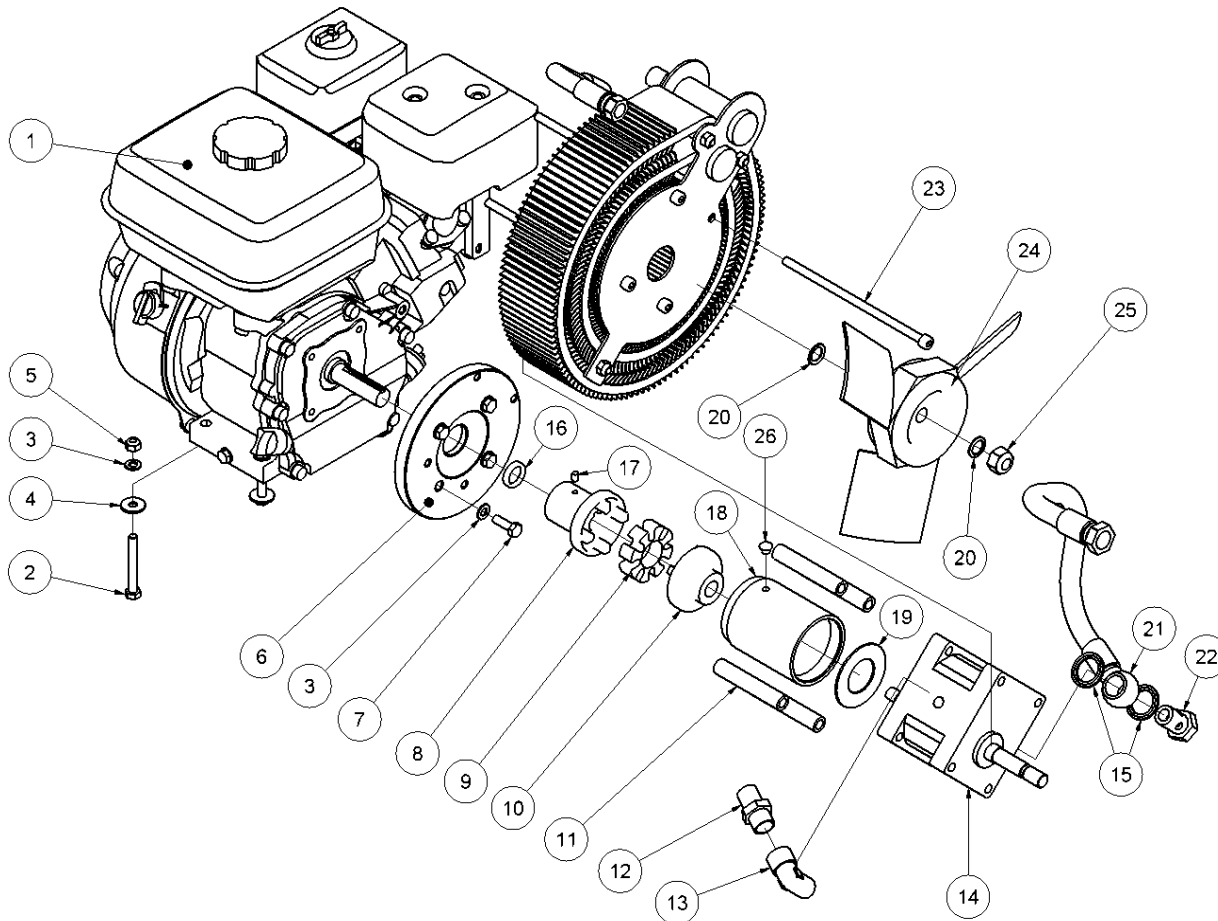


| Pos. | Part No. | Description | Pcs. |
|------|----------|---|------|
| 1 | 8222286 | Chassis complete HPP06 | 1 |
| 2 | 7721125 | Tube plug 25x25 | 6 |
| 3 | 7621098 | Retaining ring 25x2 | 4 |
| 4 | 7721140 | Wheel cover | 2 |
| 5 | 7721138 | Wheel | 2 |
| 7 | 7621042 | Screw M8x10 | 10 |
| 8 | 8222297 | Side cover set HPP06 | 1 |
| 9 | 8222291 | Handle | 1 |
| 10 | 7621046 | Screw M8x35 | 2 |
| 11 | 7621010 | Lock nut M8 | 6 |
| 12 | 8721095 | Rubber foot | 1 |
| 13 | 7621795 | Screw M8x40 <i>20 Nm (Loctite 243 at handle)</i> | 6 |
| 14 | 7631457 | Washer $\varnothing 13/\varnothing 24 \times 2.5$ | 4 |
| 15 | 8222298 | Bushing f/handle | 2 |
| 16 | 9021563 | Rubber band | 1 |
| 17 | 7722323 | Plastic plug | 4 |

HPP06 spare parts list

Serial number 5688-14774

Fig. 2

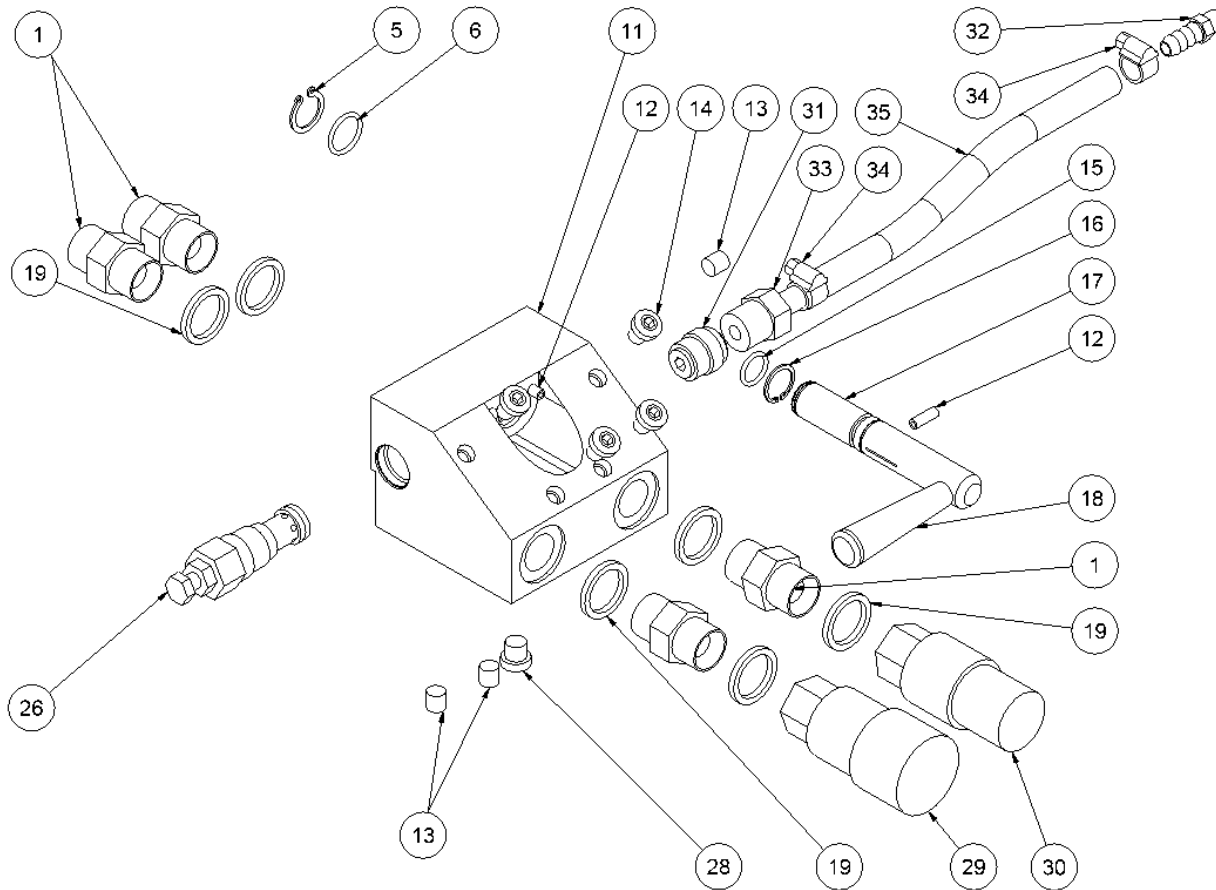


| Pos. | Part No. | Description | Pcs. |
|------|----------|--|------|
| 1 | 7322292 | Engine 6.5 HP Honda GX200 | 1 |
| 2 | 7621048 | Screw M8x65 | 4 |
| 3 | 7621171 | Washer M8 | 8 |
| 4 | 7621035 | Washer M8 | 4 |
| 5 | 7621010 | Lock nut M8 | 4 |
| 6 | 8222295 | Flange | 1 |
| 7 | 7621038 | Screw 5/16" UNFx25 <i>20 Nm - Loctite 243</i> | 4 |
| 8 | 7422293 | Coupling engine part | 1 |
| 9 | 7421083 | Rubber coupling | 1 |
| 10 | 7421067 | Coupling pump | 1 |
| 11 | 8222296 | Distance tube | 4 |
| 12 | 7421080 | Hose fitting 3/4"x1/2" <i>Loctite 542</i> | 1 |
| 13 | 7421060 | Angle nipple 1/2" <i>Loctite 542</i> | 1 |
| 14 | 7423280 | Pump 6.3 ccm | 1 |
| - | 9021667 | Seal kit for hydraulic pump | 1 |
| 15 | 7521118 | Seal ring 3/4" | 2 |
| 16 | 8222322 | Distance bushing | 1 |
| 17 | 7621032 | Set screw M6x8 <i>5 Nm - Loctite 243</i> | 1 |
| 18 | 8222294 | Coupling housing | 1 |
| 19 | 9922133 | Centering washer | 1 |
| 20 | 7621117 | Spring washer M14 | 2 |
| 21 | 8722299 | Pressure hose | 1 |
| 22 | 7421062 | Banjo bolt 1/2" <i>80 Nm</i> | 1 |
| 23 | 7622331 | Screw M8x190 <i>20 Nm</i> | 4 |
| 24 | 8321130 | Fan \varnothing 280-3 | 1 |
| 25 | 7621111 | Nut M14x1.5 <i>40 Nm</i> | 1 |
| 26 | 7722323 | Plastic plug | 1 |
| - | 2121103 | Cooler complete <i>See fig. 6</i> | 1 |

HPP06 spare parts list

Serial number 5688-14774

Fig. 3

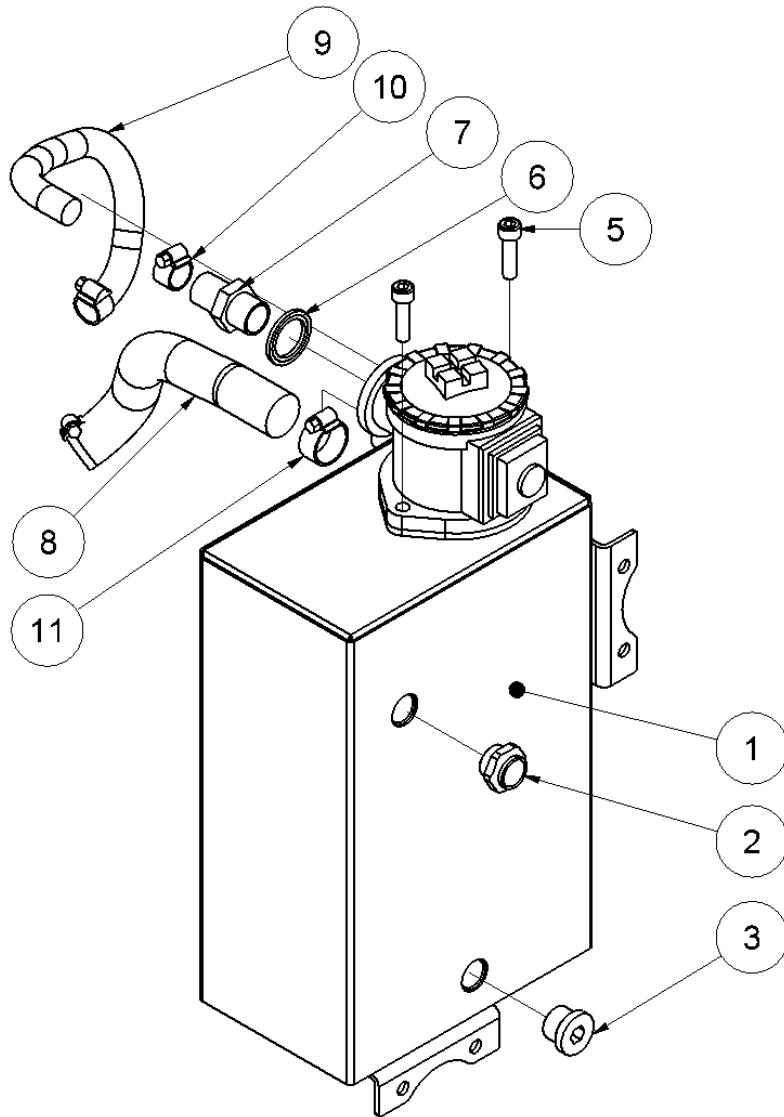


| Pos. | Part No. | Description | Pcs. |
|------|----------|--|------|
| 1 | 7421063 | Fitting 1/2"x1/2" BSP | 4 |
| 5 | 7621606 | Retaining ring A17 | 1 |
| 6 | 7521609 | O-ring 17x2 mm | 1 |
| 11 | 8221731 | Valve block | 1 |
| 12 | 7621050 | Roll pin \varnothing 5x14 | 3 |
| 13 | 7621037 | Pipe plug 1/8" <i>Loctite 542</i> | 3 |
| 14 | 7621044 | Screw M8x16 <i>15 Nm</i> | 4 |
| 15 | 7521608 | O-ring 13x2 mm | 1 |
| 16 | 7621607 | Retaining ring AV17 | 1 |
| 17 | 8221605 | Spool | 1 |
| 18 | 7721094 | Lever ON/OFF <i>Loctite 243</i> | 1 |
| 19 | 7521072 | Seal ring 1/2" | 6 |
| 26 | 7421587 | Pressure relief valve <i>40 Nm</i> | 1 |
| 28 | 7621323 | Threaded plug 1/8" w/seal | 1 |
| 29 | 7401142 | Q.R. coupling 1/2" BSP female | 1 |
| 30 | 7401141 | Q.R. coupling 1/2" BSP male | 1 |
| 31 | 7421733 | Check valve | 1 |
| 32 | 7421734 | Hose fitting 3/8"x1/8" <i>Loctite 542</i> | 1 |
| 33 | 7421735 | Hose fitting 3/8"x1/2" <i>Loctite 542</i> | 1 |
| 34 | 7421740 | Hose clip 3/8" | 2 |
| 35 | 9021739 | Hose 3/8" | 1 |

HPP06 spare parts list

Serial number 5688-14774

Fig. 4

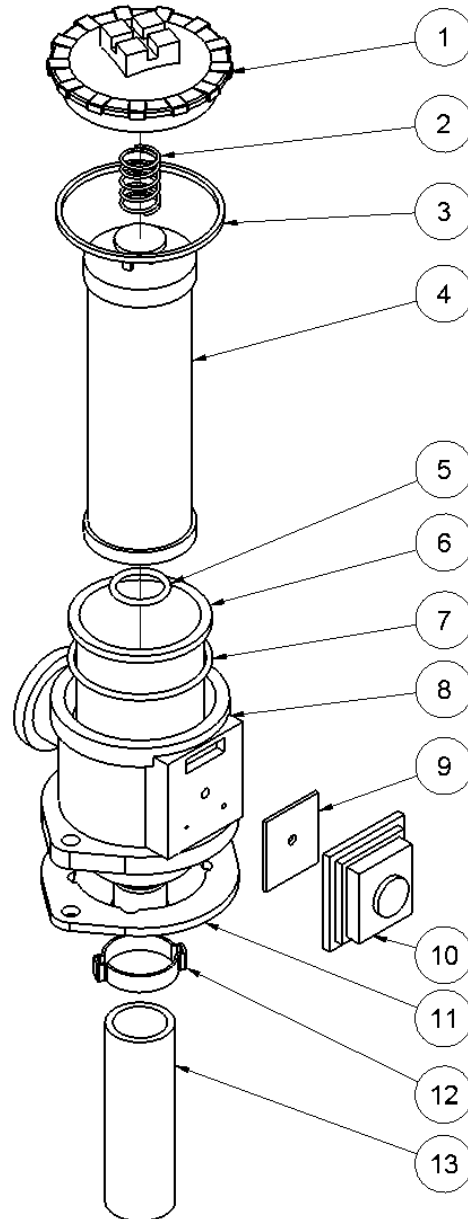


| Pos. | Part No. | Description | Pcs. |
|------|----------|--|------|
| 1 | 8222290 | Hydraulic tank | 1 |
| 2 | 7721099 | Sight glass 1/2" w/seal | 1 |
| 3 | 7621075 | Threaded plug 1/2" w/seal | 1 |
| 4 | 8421092 | Filter complete | 1 |
| 5 | 7621045 | Screw M8x30 <i>Loctite 243</i> | 2 |
| 6 | 7521118 | Seal ring 3/4" | 1 |
| 7 | 7421079 | Hose fitting 1/2"x3/4" <i>Loctite 542</i> | 1 |
| 8 | 8722304 | 3/4" hose | 1 |
| 9 | 8722303 | 1/2" hose | 1 |
| 10 | 7421081 | Hose clip 1/2" | 2 |
| 11 | 7421082 | Hose clip 3/4" | 2 |

HPP06 spare parts list

Serial number 5688-14774

Fig. 5

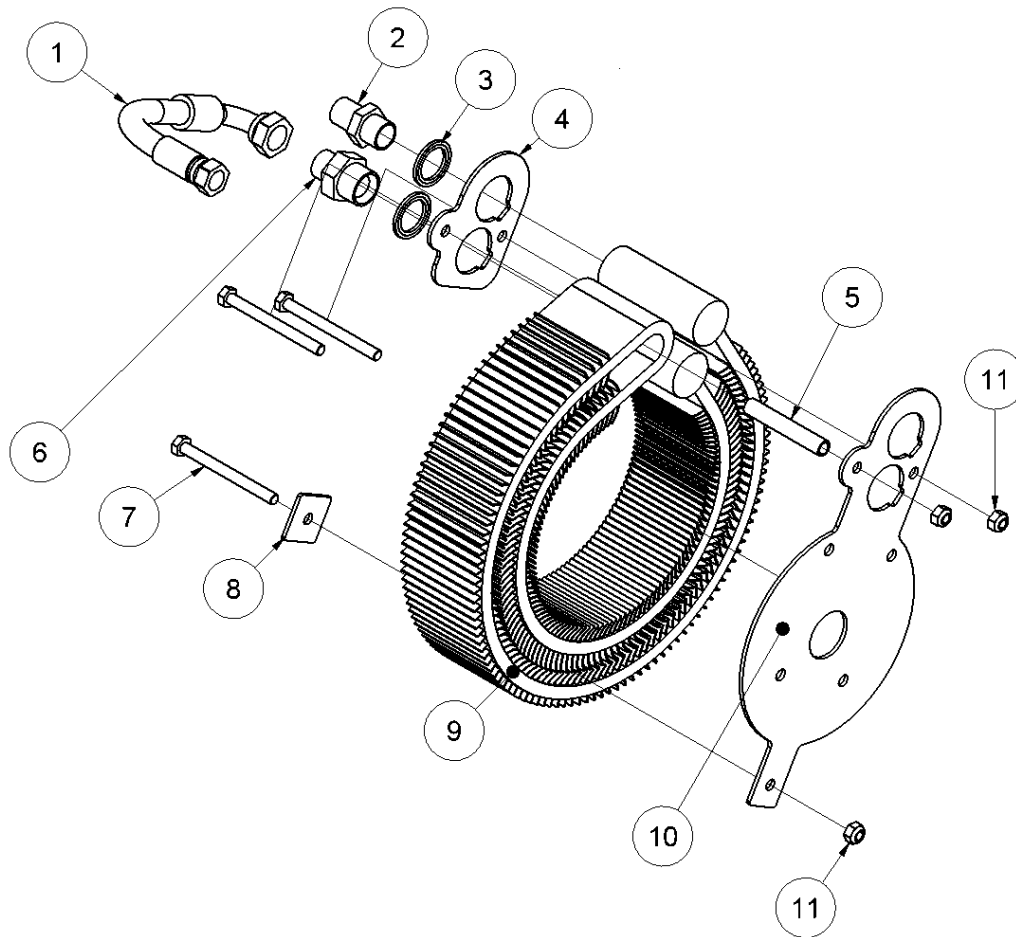


| Pos. | Part No. | Description | Pcs. |
|------|----------|--|------|
| 1 | 9421189 | Filter cover | 1 |
| 2 | 9421193 | Filter spring | 1 |
| 3 | 9421502 | Seal f/filter cover <i>Also included in 9421188</i> | 1 |
| 4 | 9421190 | Filter element | 1 |
| 5 | - | O-ring $\varnothing 3 \times 22$ <i>Included in 9421188</i> | 1 |
| 6 | - | Filter cup | 1 |
| 7 | - | O-ring $\varnothing 3 \times 60$ <i>Included in 9421188</i> | 1 |
| 8 | - | Filter housing | 1 |
| 9 | 9422041 | Ventilation filter | 1 |
| 10 | 9422042 | Cover f/ventilation filter | 1 |
| 11 | - | Seal <i>Included in 9421188</i> | 1 |
| 12 | 7621789 | Hose clamp | 1 |
| 13 | 9022043 | Filter hose | 1 |
| - | 9421188 | Seal kit filter <i>Pos. 3, 5, 7 and 11</i> | 1 |
| - | 8421092 | Filter complete <i>Pos. 1-13</i> | 1 |

HPP06 spare parts list

Serial number 5688-14774

Fig. 6



| Pos. | Part No. | Description | Pcs. |
|------|----------|--|------|
| 1 | 8722305 | Cooler pressure hose | 1 |
| 2 | 7421079 | Hose fitting 1/2"x3/4" <i>Loctite 542</i> | 1 |
| 3 | 7521118 | Seal ring 3/4" | 2 |
| 4 | - | Plate | 1 |
| 5 | - | Distance tube $\varnothing 12 \times 1.5$ | 1 |
| 6 | 7421582 | Fitting 1/2"x3/4" <i>Loctite 542</i> | 1 |
| 7 | - | Screw M8x90 | 3 |
| 8 | - | Plate | 1 |
| 9 | - | Cooler $\varnothing 280-12$ | 1 |
| 10 | - | Bracket for cooler | 1 |
| 11 | 7621010 | Lock nut M8 8 Nm | 3 |
| - | 2121103 | Cooler complete <i>Pos. 4-5, 7-11</i> | 1 |