

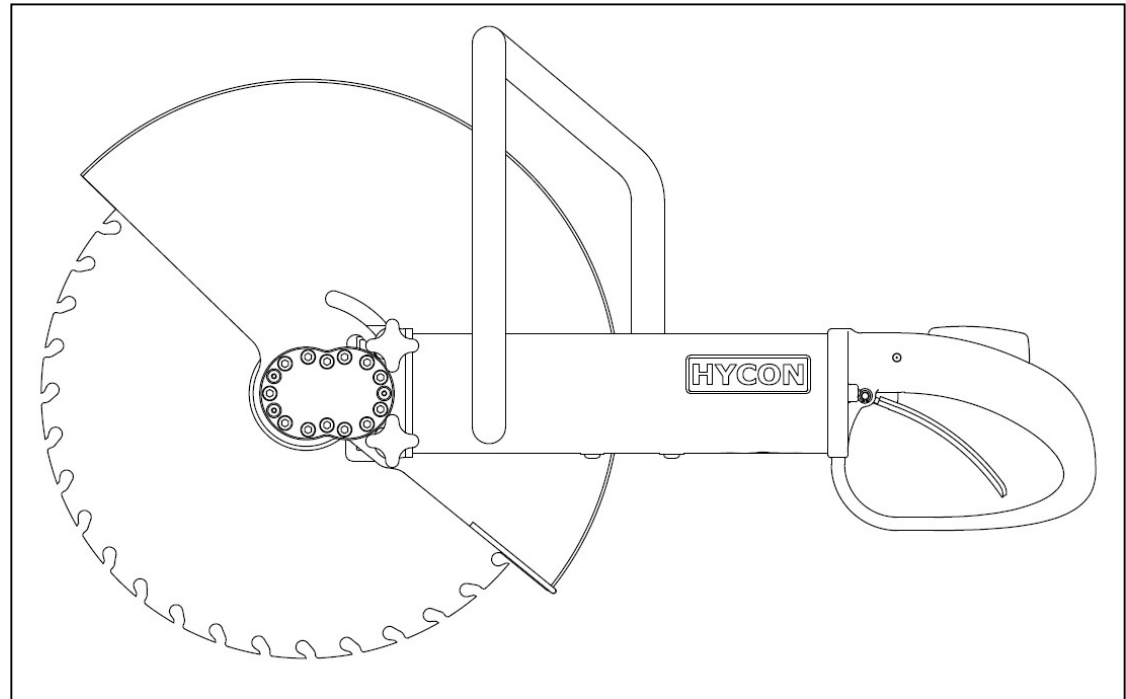
# Spare parts list

## Hycon Premium Saws

From serial No.  
HCS 14" 7935  
HCS 16" 8480  
HCS 18" 8921

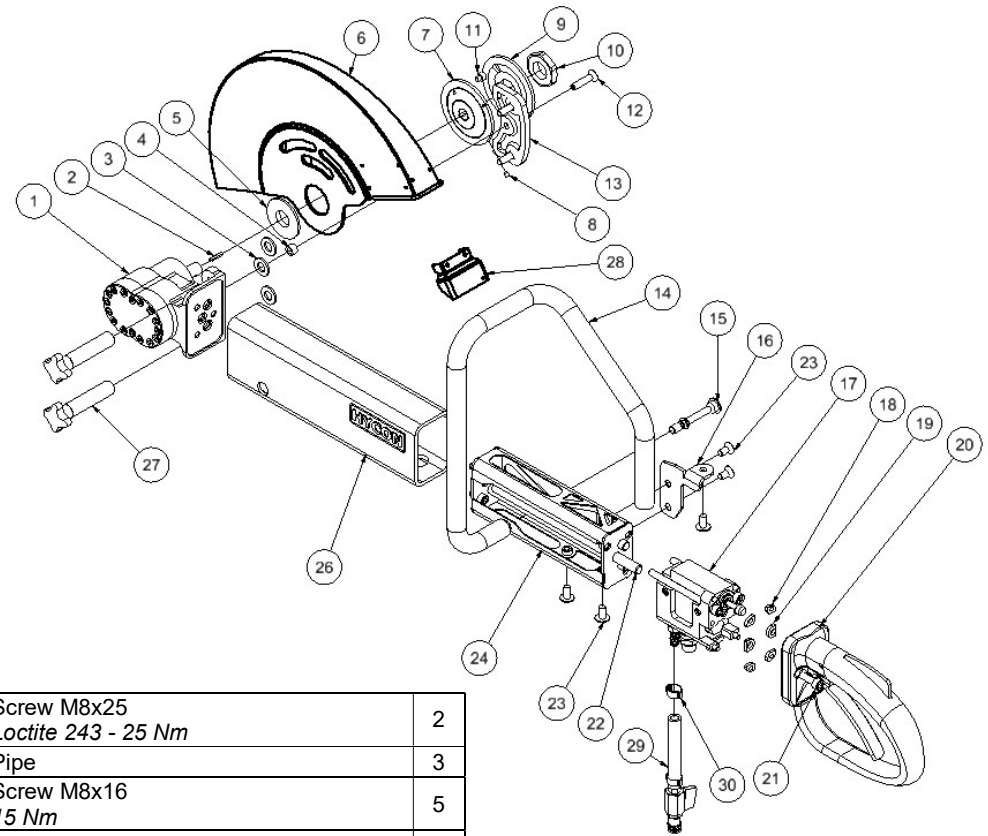


Revised 19-05-2022



# HCS14/16/18 Premium part list

## Fig. 1



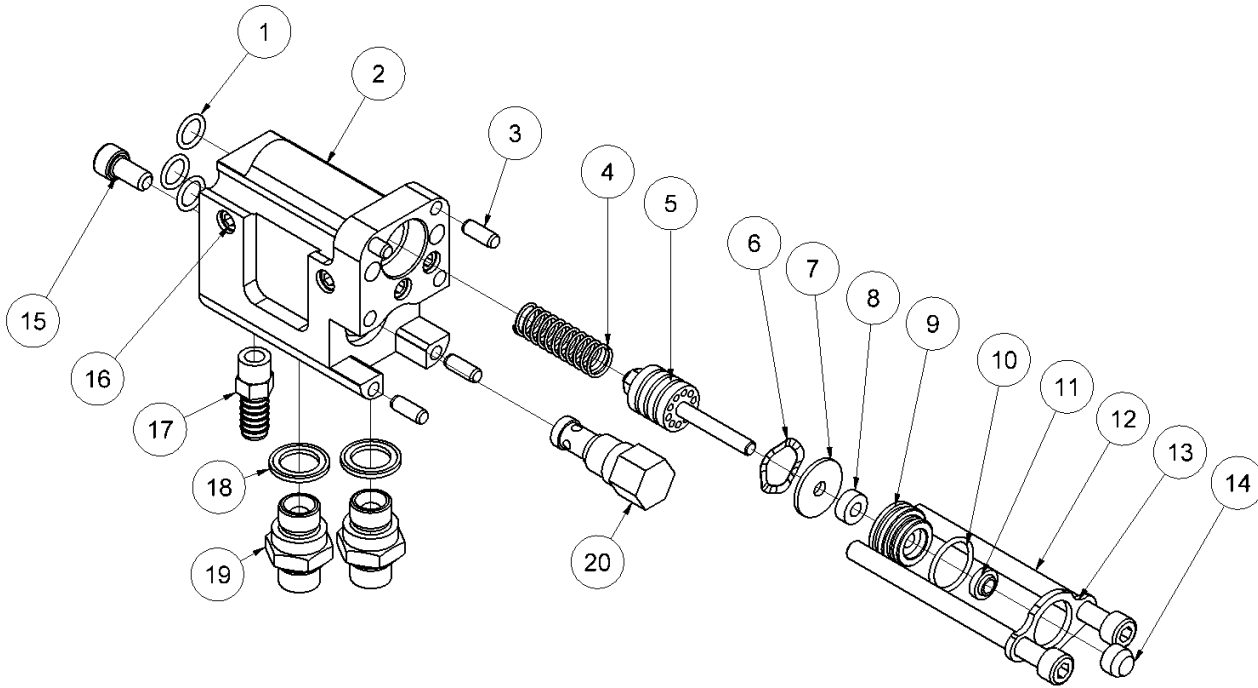
Pos.	Part No.	Description	Pcs.
------	----------	-------------	------

1	3132787	Motor 14"	1
1	3132798	Motor 16"	1
1	3132803	Motor 18"	1
2	7631456	Key 14"/16"/18"	1
3	7631457	Washer $\varnothing 13/\varnothing 24 \times 2.5$	3
4	8231426	Distance pipe	1
5	8232746	Nylon washer 14"/16"/18"	1
6	8232157	Guard 14"	1
6	8232158	Guard 16"	1
6	8232159	Guard 18"	1
7	8231422	Adaptor f/disc 14"/16"/18"	1
8	7631629	Set screw M5x5 <i>Loctite 243 - 3 Nm</i>	1
8	7633098	Set screw M5x6 <i>Loctite 243 - 3 Nm</i>	1
9	8231423	Washer f/disc	1
10	8231424	Nut f/adaptor	1
11	7631499	Screw M6x6 <i>Loctite 243 - 7.5 Nm</i>	1
12	8231428	Screw M8 w/hole <i>Loctite 243 - 8 Nm</i>	1
13	9031490	Retainer plate f/guard	1
14	9032758	Front handle complete 14"/16"	1
14	9032807	Front handle complete 18"	1
15	8232749	Screw f/front handle <i>Loctite 243 - 25 Nm</i>	1
16	8231487	Bracket f/front handle 14"/16"/18"	1
17	-	Valve housing complete – See fig. 2	1
18	8732391	Heat insulation $\varnothing 6$	4
19	8732392	Heat insulation $\varnothing 8$	2
20	9031504	Handle complete – see fig. 4	1

21	7631496	Screw M8x25 <i>Loctite 243 - 25 Nm</i>	2
22	8232791	Pipe	3
23	7611282	Screw M8x16 <i>15 Nm</i>	5
24	8232747	Frame	1
25	7632621	Screw M8x16 <i>Loctite 243</i>	3
26	8732748	Plastic cover	1
27	9031498	Lobe knob complete 14"/16"/18" <i>Grease with aluminium paste</i>	2
28	4032273	Splash Guard Kit	1
29	4341470	3/8" waterhose-set cmpl. w/ball valve	1
30	7631469	Hose Clamp 3/8"	1
-	9032834	Seal Kit f/ Cut saw	1
-	8231505	Spanner f/cut-off saw	1
-	4341408	3/8" tailhose-set 2 m <i>Incl. quick-release couplings</i>	1
-	7401141	Q.R. coupling 1/2" BSP male	1
-	7401142	Q.R. coupling 1/2" BSP female	1

## HCS14/16/18 Premium part list

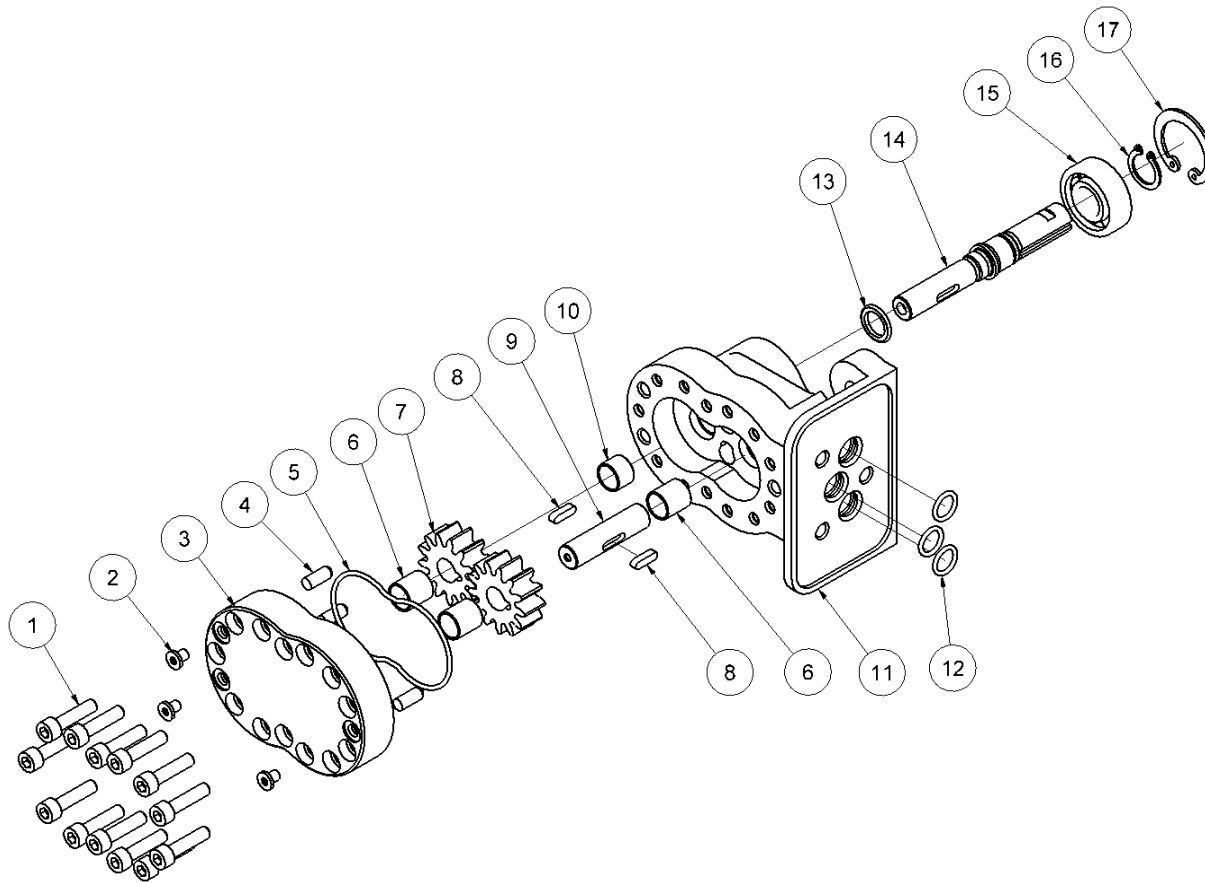
Fig. 2



Pos.	Part No.	Description	Pcs.
1	7531493	O-ring 12x2 <i>Incl. In 9032834</i>	3
2	8232788	Valve block	1
3	7632395	Cylinder pin $\varnothing 6 \times 16$	4
4	8611249	Compression spring 1.25x12.5x62.5	1
5	9032413	Trigger piston complete	1
6	7611252	Crinkled spring washer 23.8x17.3x0.3	1
7	8211251	Washer	1
8	7521014	Seal <i>Incl. In 9032834</i>	1
9	8211226	Seal housing	1
10	7511248	O-ring 20x2 <i>Incl. In 9032834</i>	1
11	7521013	Seal <i>Incl. In 9032834</i>	1
12	7621043	Screw M8x110 <i>Loctite 243 - 20 Nm</i>	2
13	8231451	Bracket f/trigger piston	1
14	8211227	Distance piece	1
15	7632621	Screw M8x16 <i>Loctite 243</i>	1
16	7621037	Pipe plug 1/8" <i>Loctite 542</i>	5
17	7431417	Fitting <i>Loctite 542</i>	1
18	7521017	Seal ring 3/8" <i>Incl. In 9032834</i>	2
19	8231394	Fitting 3/8"x3/8" BSP <i>50 Nm</i>	2
19	8232832	Fitting 3/8"x3/8" JIC <i>50 Nm</i>	2
20	7432756	Check valve <i>40 Nm</i>	1

**HCS14/16/18 Premium part list**  
**Fig. 3**

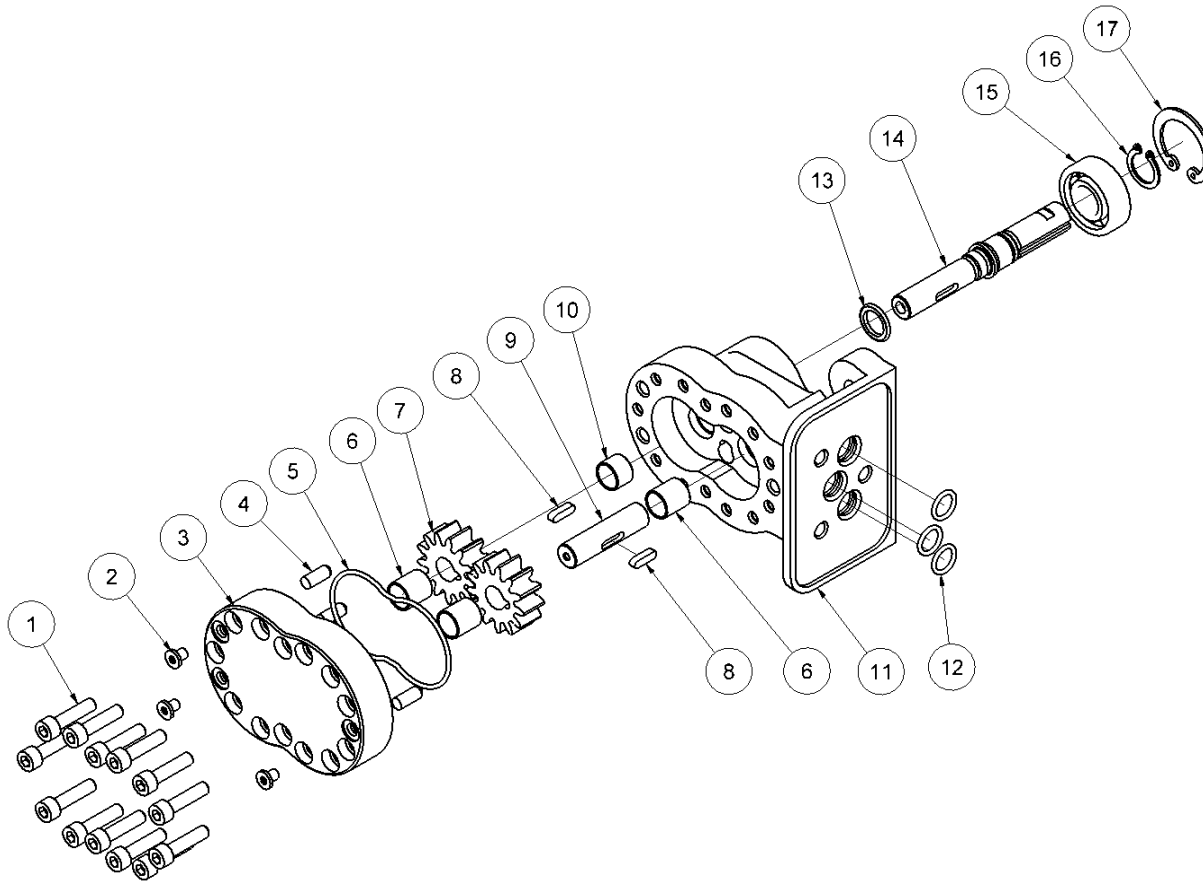
# Motor 14"



Pos.	Part No.	Description	Pcs.
1	7611243	Screw M6x25 <i>Loctite 243 - 7.5 Nm</i>	13
2	7632773	Screw M5x6 <i>2 Nm</i>	3
3	9033111	Cover for motor w/bearings <i>Pos. 3, 6</i>	1
4	7632775	Pin	3
5	7532776	O-ring $\phi 62 \times 2$ <i>Incl. in 9032834</i>	1
6	-	Bearing. <b>Not sold separately.</b> <i>Incl. in 3132787/ 9033111</i>	3
7	-	Gear 14" <b>Not sold separately.</b> <i>Incl. in 3132787.</i>	2
8	7632780	Key 14"	2
9	8232781	Secondary Shaft 14"	1
10	-	Bearing. <b>Not sold separately.</b> <i>Incl. in 3132787</i>	1
11	-	Motor housing 14" <b>Not sold separately.</b> <i>Incl. in 3132787.</i>	1
12	7531493	O-ring 12x2 <i>Incl. in 9032834</i>	3
13	7532774	Seal <i>Incl. in 9032834</i>	1
14	-	Primary Shaft 14" <b>Not sold separately.</b> <i>Incl. in 9033114 / 3132787</i>	1
15	-	Bearing 14" <b>Not sold separately.</b> <i>Incl. in 9033115</i>	1
16	7621096	Retaining ring A15	1
17	7632534	Retaining ring J35	1
-	3132787	Motor Complete 14" <i>Pos 1-17</i>	1
-	9033115	14" Motor Shaft kit <i>Pos 14-16</i>	1

**HCS14/16/18 Premium part list**  
**Fig. 3**

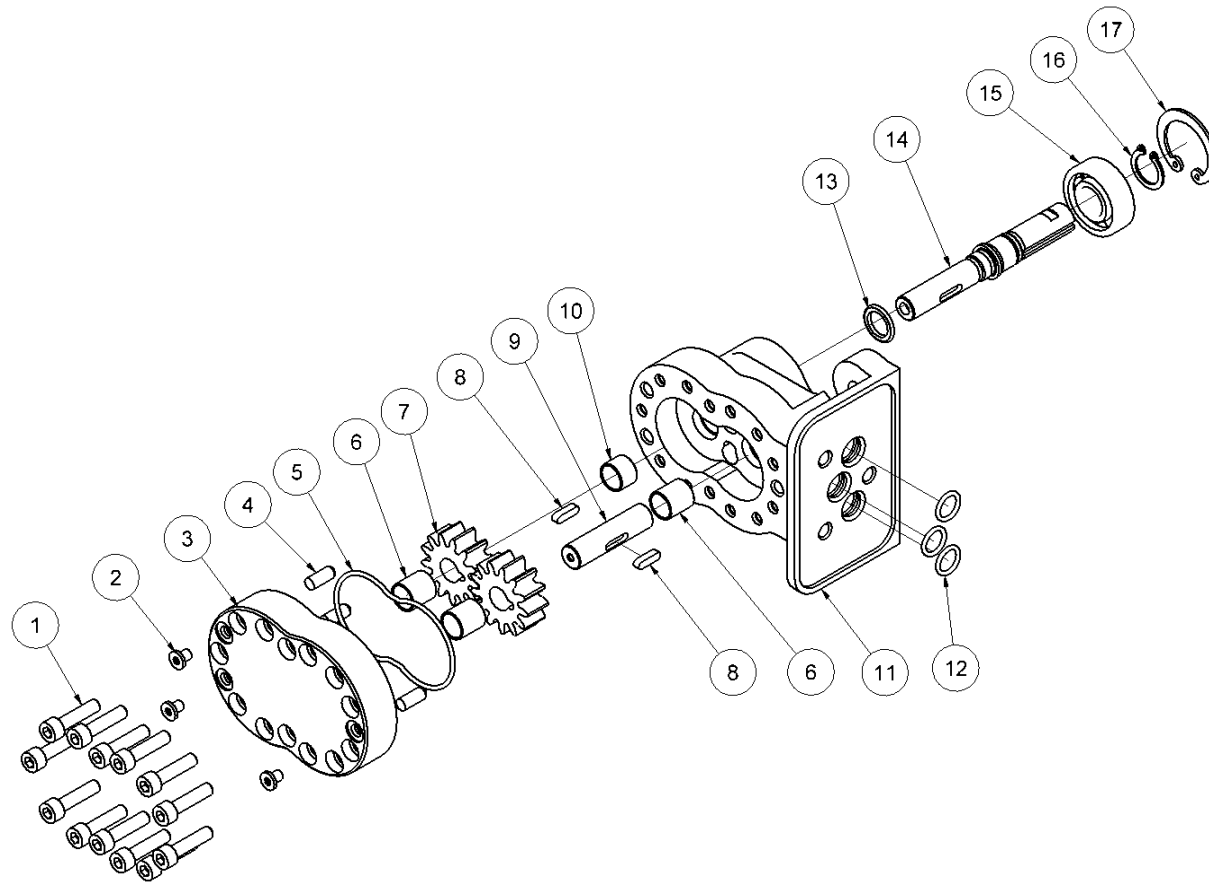
**Motor 16"**



Pos.	Part No.	Description	Pcs.
1	7611243	Screw M6x25 <i>Loctite 243 - 7.5 Nm</i>	13
2	7632773	Screw M5x6 <i>2 Nm</i>	3
3	9033111	Cover for motor w/bearings <i>Pos. 3, 6</i>	1
4	7632775	Pin	3
5	7532776	O-ring ø62x2 <i>Incl. In 9032834</i>	1
6	-	Bearing. <b>Not sold separately.</b> <i>Incl.in 3132798/ 9033111</i>	3
7	-	Gear 16" <b>Not sold separately.</b> <i>Incl. in 3132798.</i>	2
8	7632780	Key 16"	2
9	8232781	Secondary Shaft 16"	1
10	-	Bearing. <b>Not sold separately.</b> <i>Incl.in 3132798</i>	1
11	-	Motor housing 16" <b>Not sold separately.</b> <i>Incl. in 3132798.</i>	1
12	7531493	O-ring 12x2 <i>Incl. In 9032834</i>	3
13	7532774	Seal <i>Incl. In 9032834</i>	1
14	-	Primary Shaft 16" <b>Not sold separately.</b> <i>Incl. In 9033115 / 3132798</i>	1
15	-	Bearing 16" <b>Not sold separately.</b> <i>Incl. In 9033115</i>	1
16	7621096	Retaining ring A15	1
17	7632534	Retaining ring J35	1
-	3132798	Motor Complete 16" <i>Pos 1-17</i>	1
-	9033115	16" Motor Shaft kit <i>Pos 14-16</i>	1

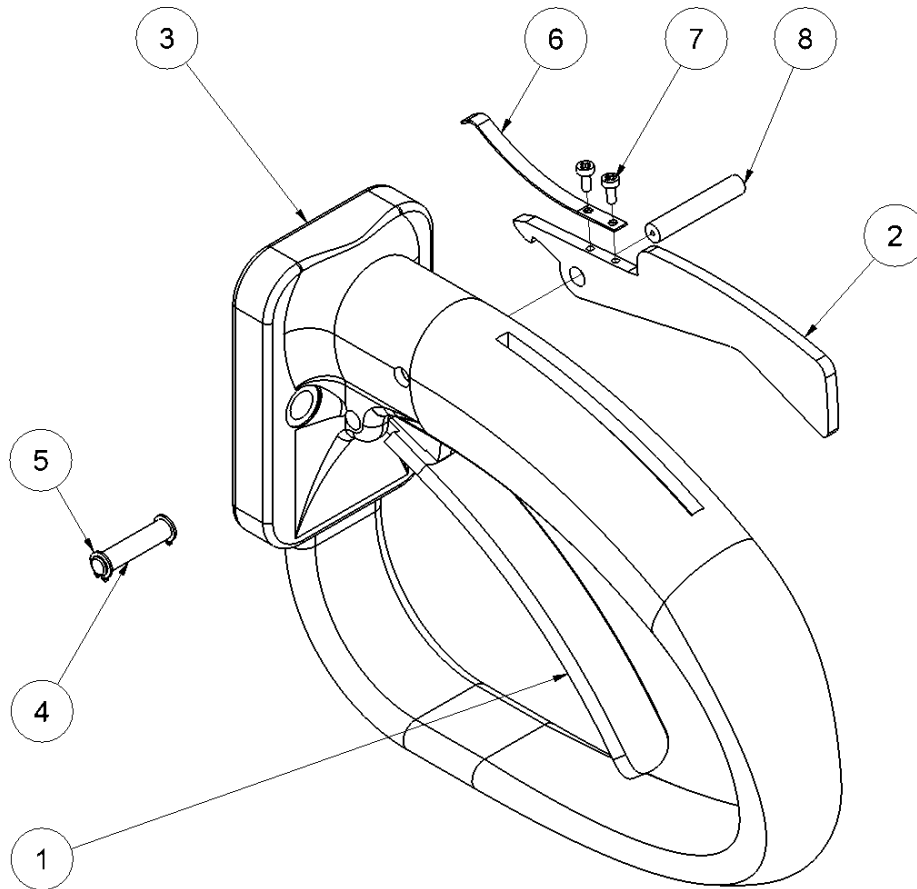
**HCS14/16/18 Premium part list**  
**Fig. 3**

# Motor 18"



Pos.	Part No.	Description	Pcs.
1	7611243	Screw M6x25 <i>Loctite 243 - 7.5 Nm</i>	13
2	7632773	Screw M5x6 <i>2 Nm</i>	3
3	9033111	Cover for motor w/bearings <i>Pos. 3, 6</i>	1
4	7632775	Pin	3
5	7532776	O-ring ø62x2 <i>Incl. In 9032834</i>	1
6	-	Bearing. <b>Not sold separately.</b> <i>Incl.in 3132803/ 9033111</i>	3
7	-	Gear 18" <b>Not sold separately.</b> <i>Incl. in 3132803.</i>	2
8	7632988	Key 18"	2
9	8232804	Secondary Shaft 18"	1
10	-	Bearing. <b>Not sold separately.</b> <i>Incl.in 3132803</i>	1
11	-	Motor housing 18" <b>Not sold separately.</b> <i>Incl. in 3132803.</i>	1
12	7531493	O-ring 12x2 <i>Incl. In 9032834</i>	3
13	7532774	Seal <i>Incl. In 9032834</i>	1
14	-	Primary Shaft 18" <b>Not sold separately.</b> <i>Incl. In 9033116 / 3132803</i>	1
15	-	Bearing 18" <b>Not sold separately.</b> <i>Incl. In 9033116</i>	1
16	7621096	Retaining ring A15	1
17	7632534	Retaining ring J35	1
-	3132803	Motor Complete 18" <i>Pos 1-17</i>	1
-	9033116	18" Motor Shaft Kit <i>Pos 14-16</i>	1

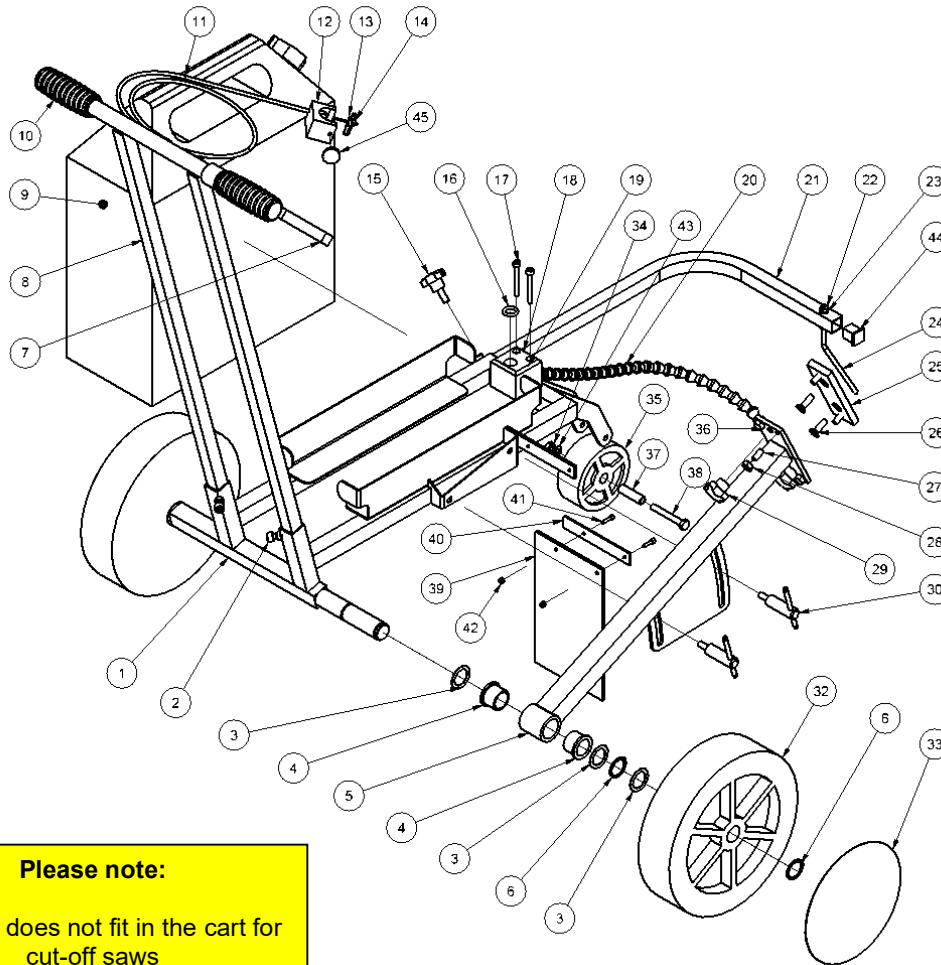
**HCS14/16/18 Premium part list**  
**Fig. 4**



Pos.	Part No.	Description	Pcs.
1	8231471	Trigger lever	1
2	8231472	Safety trigger	1
3	8231485	Handle	1
4	8231396	Pin $\varnothing 6$	1
5	7611306	Retaining ring A6	2
6	8631506	Leaf spring f/safety trigger	1
7	7631589	Screw M2.5x6	2
8	8231507	Pin f/safety trigger	1
-	9031504	Handle complete <i>Pos. 1-8</i>	1

# Cart for Cut-off Saw

Fig. 1



**Please note:**  
HCS 20" does not fit in the cart for cut-off saws

Pos.	Part No.	Description	Pcs.
1	8231670	Cart frame	1
2	7631395	Screw M8x14 <i>Copper grease</i>	2
3	7621100	Shim ring 25/35/1 mm	4
4	7731696	Nylon bushing	2
5	8231669	Rocker arm	1
6	7621098	Retaining ring 25x2	3
7	7731702	Brake lever	1
8	8231668	Handle frame	1
9	7731680	Water tank 20 litres	1
10	7721199	Rubber grip	2
11	7731703	Brake cable	1
12	8231672	Cable retainer	1
13	8231678	Bracket f/trigger lever	1
14	7731704	Cable clamp	1
15	7731460	Star knob M8x15 <i>Copper grease</i>	1
16	7531701	O-ring 14x4	1
17	7631700	Bolt M6x50 <i>Loctite 243</i>	2
18	8231671	Aluminium block f/water	1
19	7731698	Connector f/flex hose	1
20	7731697	Flex hose 1/4"	1
21	8231677	Arm f/steering rod	1
22	7611278	Nut M6	2

23	7621136	Washer M6	2
24	8231676	Steering rod	1
25	8231673	Mounting plate <i>Loctite 638</i>	1
26	7631459	Screw M8x25	4
27	7631681	Set screw M8x16	4
28	7631695	Nut M8	4
29	7731683	Star knob M8 <i>Copper grease</i>	2
30	9032132	Tommy nut complete <i>Copper grease</i>	2
32	7721138	Wheel	2
33	7721140	Wheel cover	2
34	7621010	Lock nut M8	1
35	7731679	Wheel ø100	1
36	7731699	Nozzle f/flex hose	1
37	8231675	Distance pipe	1
38	7631694	Screw M8x60	1
39	8231983	Splash guard <i>Added from 07-06-2005</i>	1
40	8231984	Plate for splash guard	1
41	7631982	Screw M4x16	2
42	7621836	Nut M4	2
43	7621171	Washer M8	1
44	7722008	Tube plug 20x20	1
45	7631717	Thumb screw M6	1