

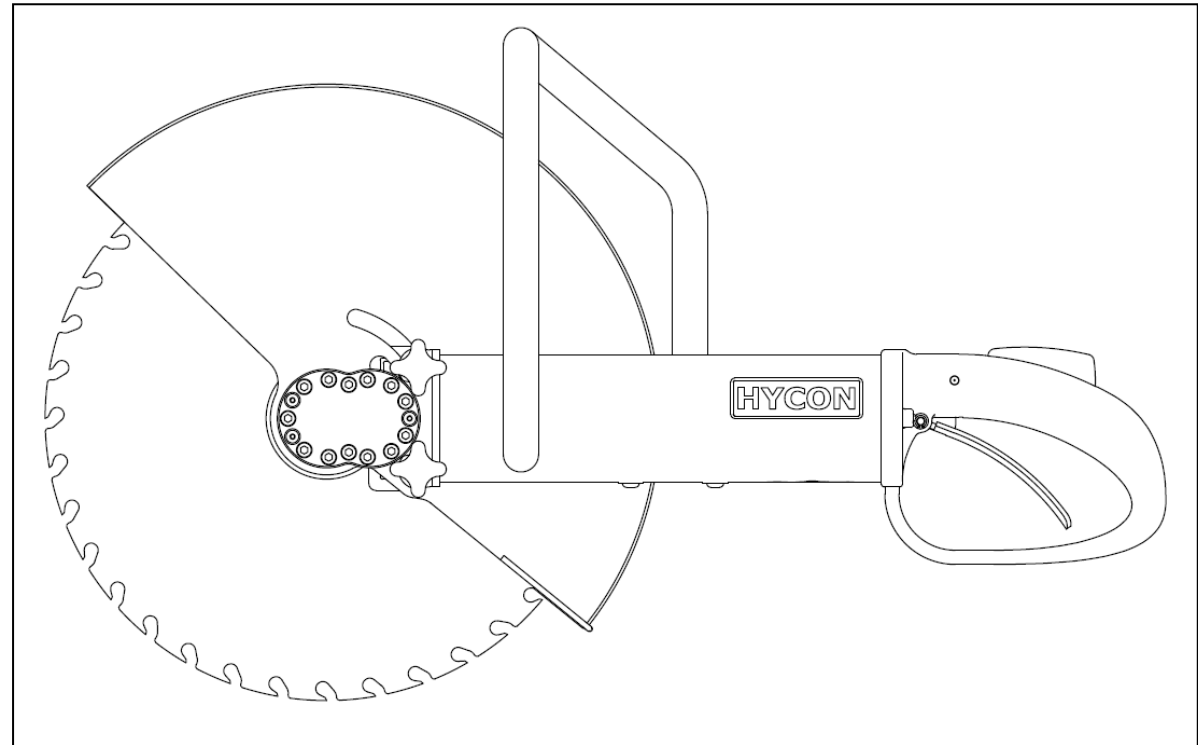
HCS20" Spare parts list

Hycon Premium Saw

From serial No.
11543 -

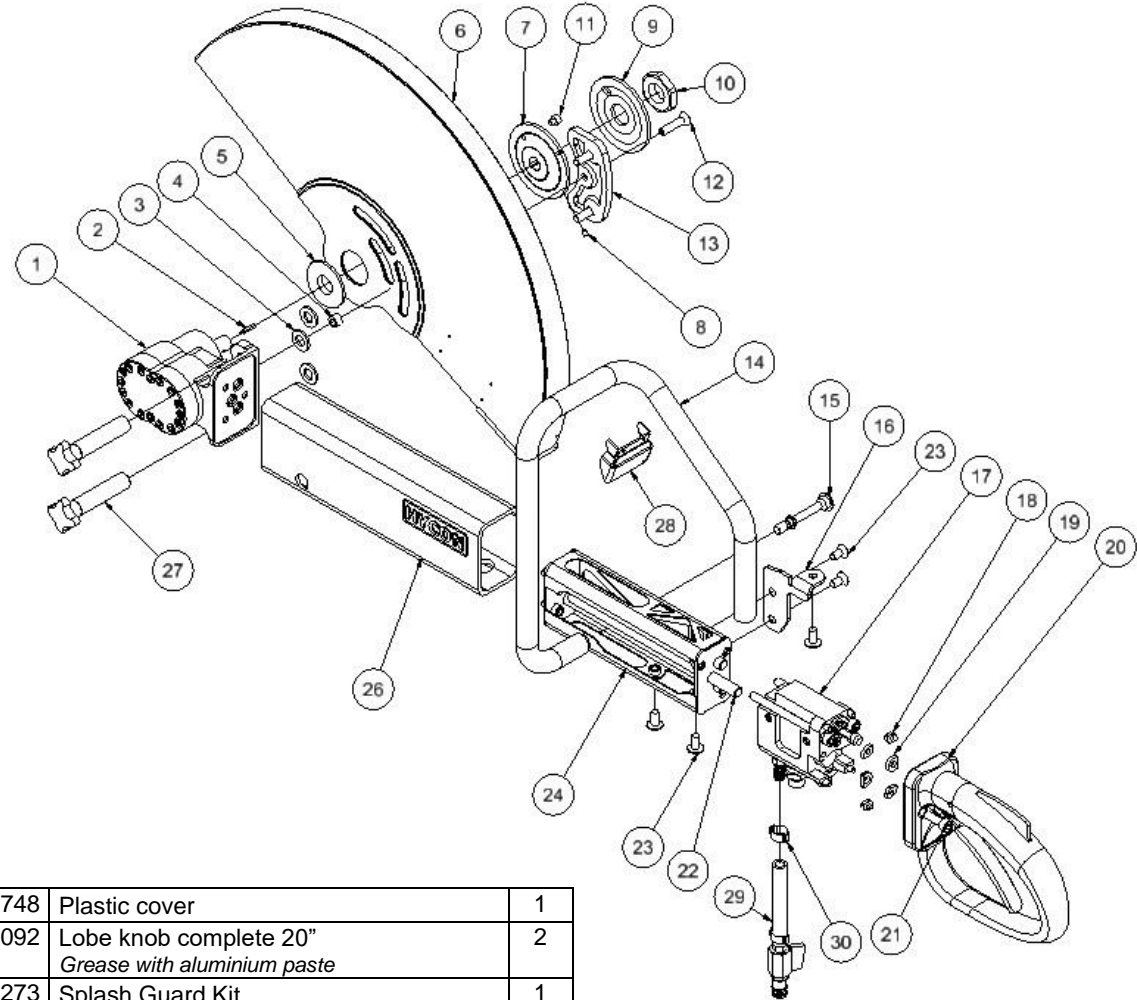


Revised 20-05-2022



HCS20 Premium part list

Fig. 1

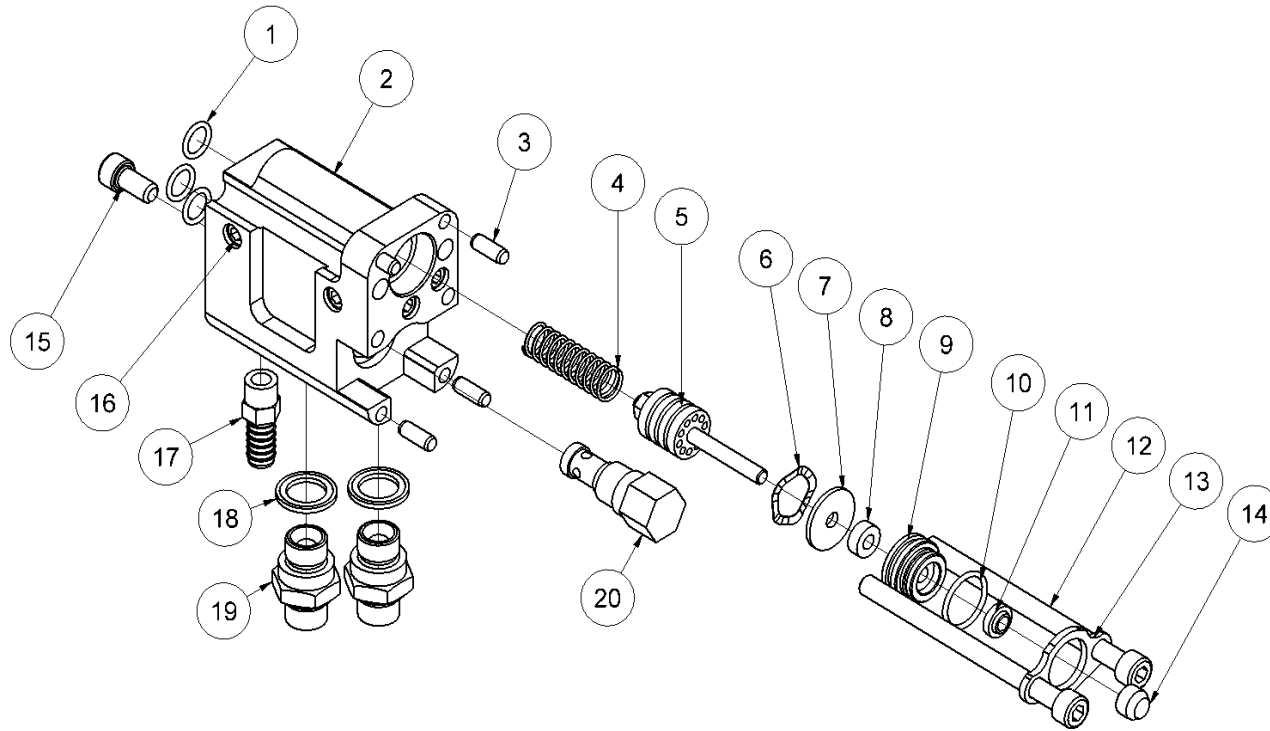


| Pos. | Part No. | Description | Pcs. |
|------|----------|--|------|
| 1 | 9033148 | Motor 20" <i>Pos.1 & 5</i> | 1 |
| 2 | 7632954 | Feder 4x4x25 | 1 |
| 3 | 7631457 | Washer $\varnothing 13/\varnothing 24 \times 2.5$ | 3 |
| 4 | 8231426 | Distance pipe | 1 |
| 5 | 8733145 | Nylon washer 20" | 1 |
| 6 | 8233274 | Guard 20" | 1 |
| 7 | 8233100 | Adaptor f/disc 20" | 1 |
| 8 | 7633098 | Set screw M5x6 <i>Loctite 243 - 3 Nm</i> | 1 |
| 9 | 8231423 | Washer f/disc | 1 |
| 10 | 8231424 | Nut f/adaptor | 1 |
| 11 | 7631499 | Screw M6x6 <i>Loctite 243 - 7.5 Nm</i> | 1 |
| 12 | 8231428 | Screw M8 w/hole <i>Loctite 243 - 8 Nm</i> | 1 |
| 13 | 9031490 | Retainer plate f/guard | 1 |
| 14 | 9033222 | Front handle complete 20" | 1 |
| 15 | 8232749 | Screw f/front handle <i>Loctite 243 - 25 Nm</i> | 1 |
| 16 | 9033222 | Bracket f/front handle 20" | 1 |
| 17 | - | Valve housing complete – See fig. 2 | 1 |
| 18 | 8732391 | Heat insulation $\varnothing 6$ | 4 |
| 19 | 8732392 | Heat insulation $\varnothing 8$ | 2 |
| 20 | 9031504 | Handle complete – see fig. 4 | 1 |
| 21 | 7631496 | Screw M8x25 <i>Loctite 243 - 25 Nm</i> | 2 |
| 22 | 8232791 | Pipe | 3 |
| 23 | 7611282 | Screw M8x16 <i>15 Nm</i> | 3 |
| 24 | 8232747 | Frame | 1 |
| 25 | 7632621 | Screw M8x16 <i>Loctite 243</i> | 3 |

| | | | |
|----|---------|---|---|
| 26 | 8732748 | Plastic cover | 1 |
| 27 | 9033092 | Lobe knob complete 20" <i>Grease with aluminium paste</i> | 2 |
| 28 | 4032273 | Splash Guard Kit | 1 |
| 29 | 4341470 | 3/8" waterhose-set compl. w/ball valve | 1 |
| 30 | 7631469 | Hose Clamp 3/8" | 1 |
| - | 9032834 | Seal Kit f/ Cut saw | 1 |
| - | 4341408 | 3/8" tailhose-set 2 m <i>Incl. quick-release couplings</i> | 1 |
| - | 7401141 | Q.R. coupling 1/2" BSP male | 1 |
| - | 7401142 | Q.R. coupling 1/2" BSP female | 1 |
| - | 8231505 | Spanner f/cut-off saw | 1 |

HCS20 Premium part list

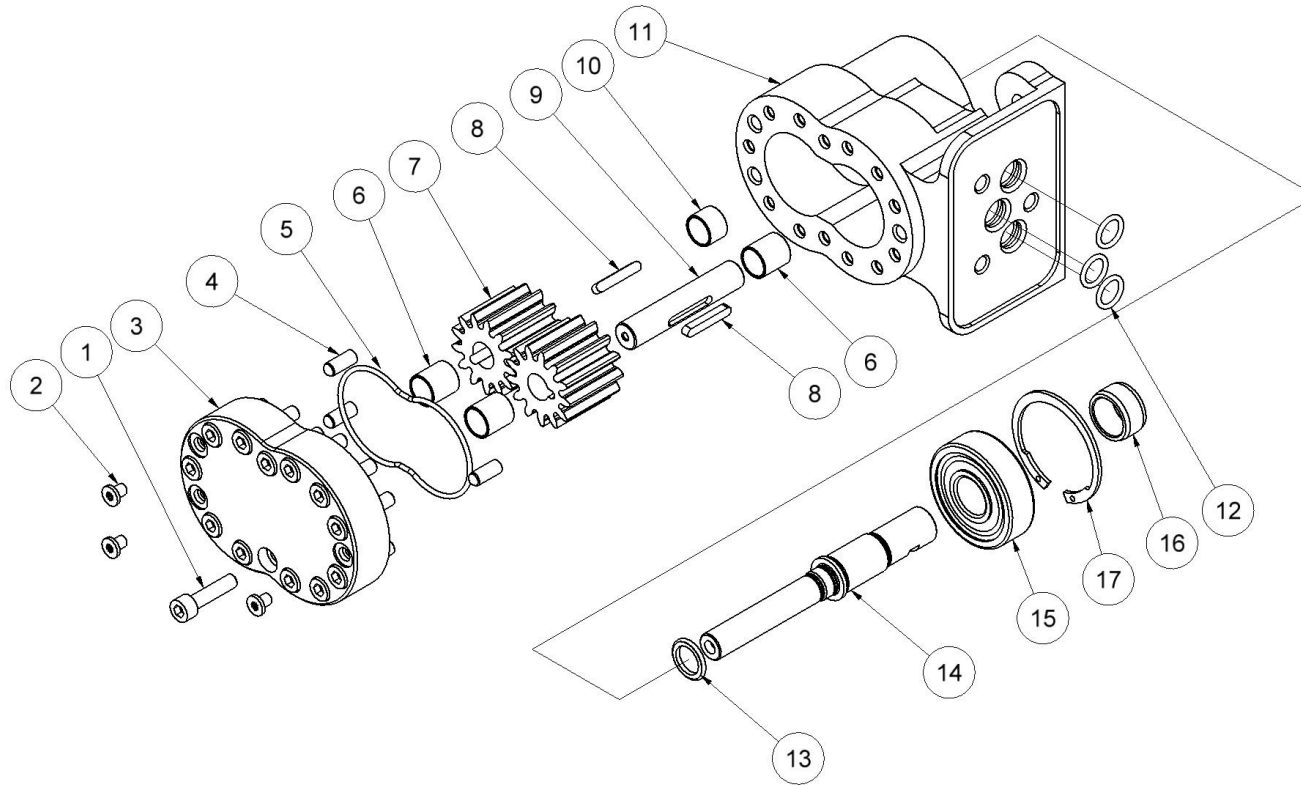
Fig. 2



| Pos. | Part No. | Description | Pcs. |
|------|----------|--|------|
| 1 | 7531493 | O-ring 12x2 <i>Incl. In 9032834</i> | 3 |
| 2 | 8232788 | Valve block | 1 |
| 3 | 7632395 | Cylinder pin $\varnothing 6 \times 16$ | 4 |
| 4 | 8611249 | Compression spring 1.25x12.5x62.5 | 1 |
| 5 | 9032413 | Trigger piston complete | 1 |
| 6 | 7611252 | Crinkled spring washer 23.8x17.3x0.3 | 1 |
| 7 | 8211251 | Washer | 1 |
| 8 | 7521014 | Seal <i>Incl. In 9032834</i> | 1 |
| 9 | 8211226 | Seal housing | 1 |
| 10 | 7511248 | O-ring 20x2 <i>Incl. In 9032834</i> | 1 |
| 11 | 7521013 | Seal <i>Incl. In 9032834</i> | 1 |
| 12 | 7621043 | Screw M8x110 <i>Loctite 243 - 20 Nm</i> | 2 |
| 13 | 8231451 | Bracket f/trigger piston | 1 |
| 14 | 8211227 | Distance piece | 1 |
| 15 | 7632621 | Screw M8x16 <i>Loctite 243</i> | 1 |
| 16 | 7621037 | Pipe plug 1/8" <i>Loctite 542</i> | 5 |
| 17 | 7431417 | Fitting <i>Loctite 542</i> | 1 |
| 18 | 7521017 | Seal ring 3/8" <i>Incl. In 9032834</i> | 2 |
| 19 | 8231394 | Fitting 3/8"x3/8" BSP <i>50 Nm</i> | 2 |
| 19 | 8232832 | Fitting 3/8"x3/4" JIC <i>50 Nm</i> | 2 |
| 20 | 7432756 | Check valve <i>40 Nm</i> | 1 |

HCS20 Premium part list

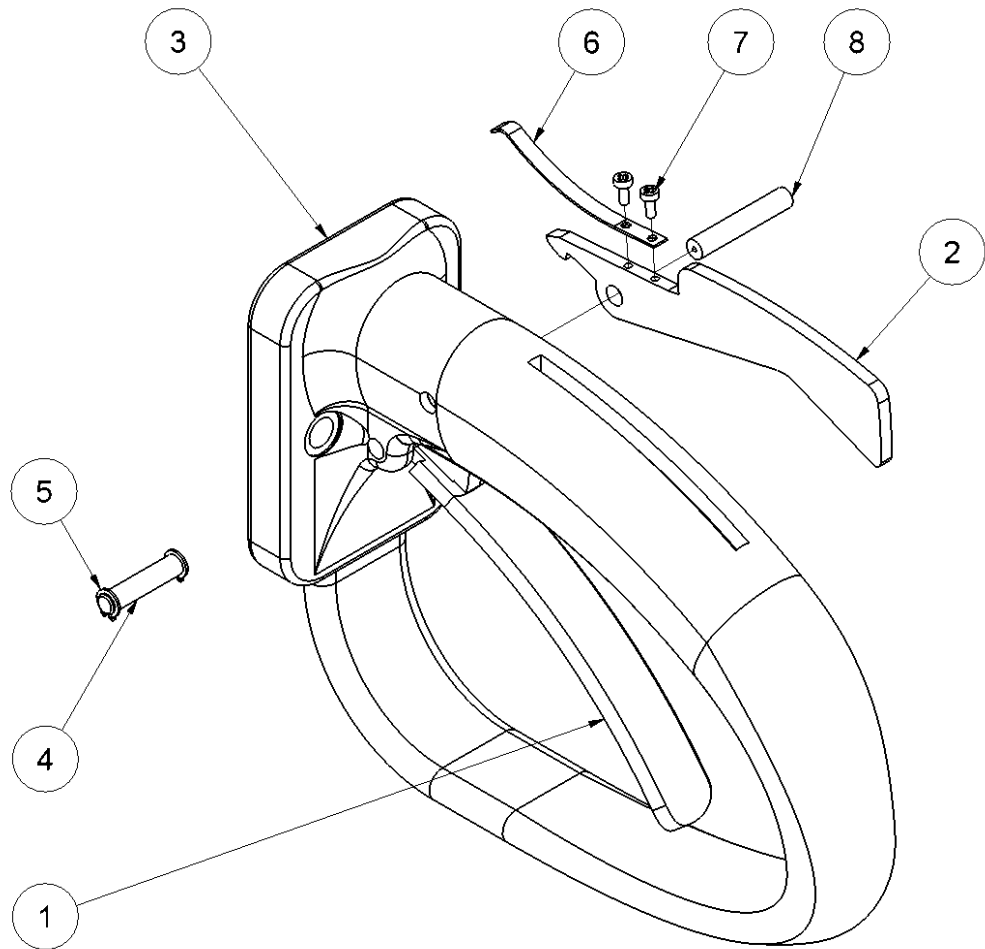
Fig. 3



| Pos. | Part No. | Description | Pcs. |
|------|----------|--|------|
| 1 | 7611243 | Screw M6x25 <i>Loctite 243 - 7.5 Nm</i> | 13 |
| 2 | 7632773 | Screw M5x6 <i>2 Nm</i> | 3 |
| 3 | 9033111 | Cover for motor w/bearings <i>Pos. 3, 6</i> | 1 |
| 4 | 7632775 | Pin | 3 |
| 5 | 7532776 | O-ring $\phi 62 \times 2$ <i>Incl. In 9032834</i> | 1 |
| 6 | - | Bearing. Not sold separately. <i>Incl. in 9033148 / 9033111</i> | 3 |
| 7 | - | Gear 20" Not sold separately. <i>Incl. in 9033148</i> | 2 |
| 8 | 7632954 | Key 20" | 2 |
| 9 | 8232952 | Secondary Shaft 20" | 1 |
| 10 | - | Bearing. Not sold separately. <i>Incl. in 9033148</i> | 1 |
| 11 | - | Motor housing 20" Not sold separately. <i>Incl. in 9033148</i> | 1 |
| 12 | 7531493 | O-ring 12x2 <i>Incl. In 9032834</i> | 3 |
| 13 | 7532774 | Seal <i>Incl. In 9032834</i> | 1 |
| 14 | - | Primary Shaft 20" Not sold separately. <i>Incl. In 9033147 & 9033148</i> | 1 |
| 15 | - | Bearing 20" Not sold separately. <i>Incl. in 9033147 & 9033148</i> | 1 |
| 16 | - | Bushing Not sold separately. <i>Incl. in 9033147 & 9033148</i> | 1 |
| 17 | 7633146 | Retaining ring J47 | 1 |
| - | 9033148 | Motor Complete 20" <i>Pos 1-17 + (Fig 1, Pos 5)</i> | 1 |
| - | 9033147 | 20" Motor Shaft kit <i>Pos. 13,14,15 & 16</i> | 1 |

HCS20 Premium part list

Fig. 4



| Pos. | Part No. | Description | Pcs. |
|------|----------|------------------------------------|------|
| 1 | 8231471 | Trigger lever | 1 |
| 2 | 8231472 | Safety trigger | 1 |
| 3 | 8231485 | Handle | 1 |
| 4 | 8231396 | Pin ø6 | 1 |
| 5 | 7611306 | Retaining ring A6 | 2 |
| 6 | 8631506 | Leaf spring f/safety trigger | 1 |
| 7 | 7631589 | Screw M2.5x6 | 2 |
| 8 | 8231507 | Pin f/safety trigger | 1 |
| - | 9031504 | Handle complete <i>Pos. 1-8</i> | 1 |